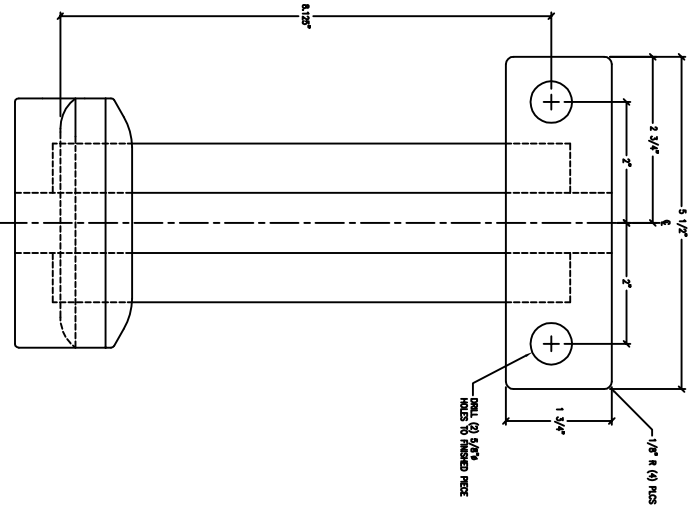
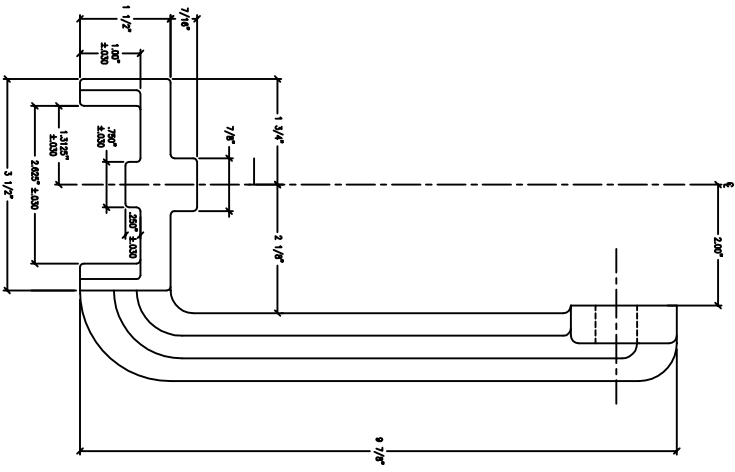


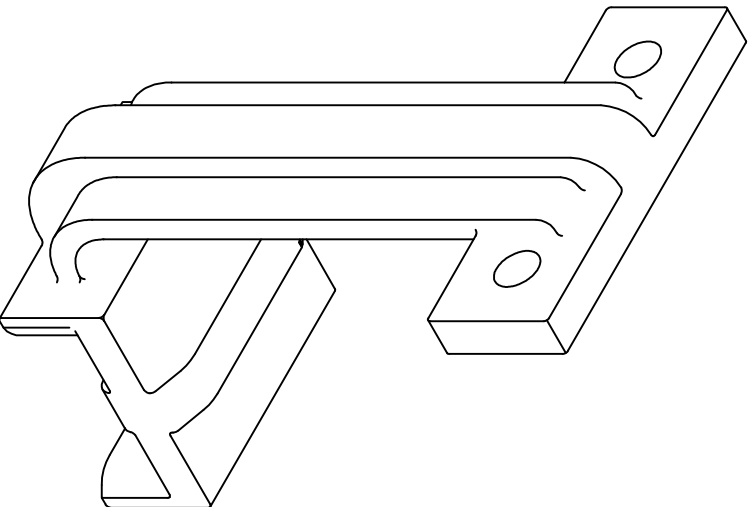
TOP VIEW



FRONT VIEW



SIDE VIEW



NO.	REVISION	BY	DATE		
TOLERANCE UNLESS OTHERWISE NOTED					
FRACTIONS 1/16"					
DECIMAL THIRDS/THIRTIETHS 0.0005					
ANGLES 30.0°					
ITEM	QTY	PART NO.	DESCRIPTION - (QTY LISTED IS FOR (1) PART)	MAT'L	MTG.
Material: Steel & Aluminum Tolerance: 0.0005 Finish: 20-110 Clean Gold Quantity: 20-110 Clean Gold Part No.: 20-110 Clean Gold Client: CTV/PAVE					
Revision No.: Date: 05/08/2014 Drawn By: [Name] Checked By: [Name] Approved By: [Name]					
Part Name: [Name] Part No.: [Name] Rev: [Name]					