

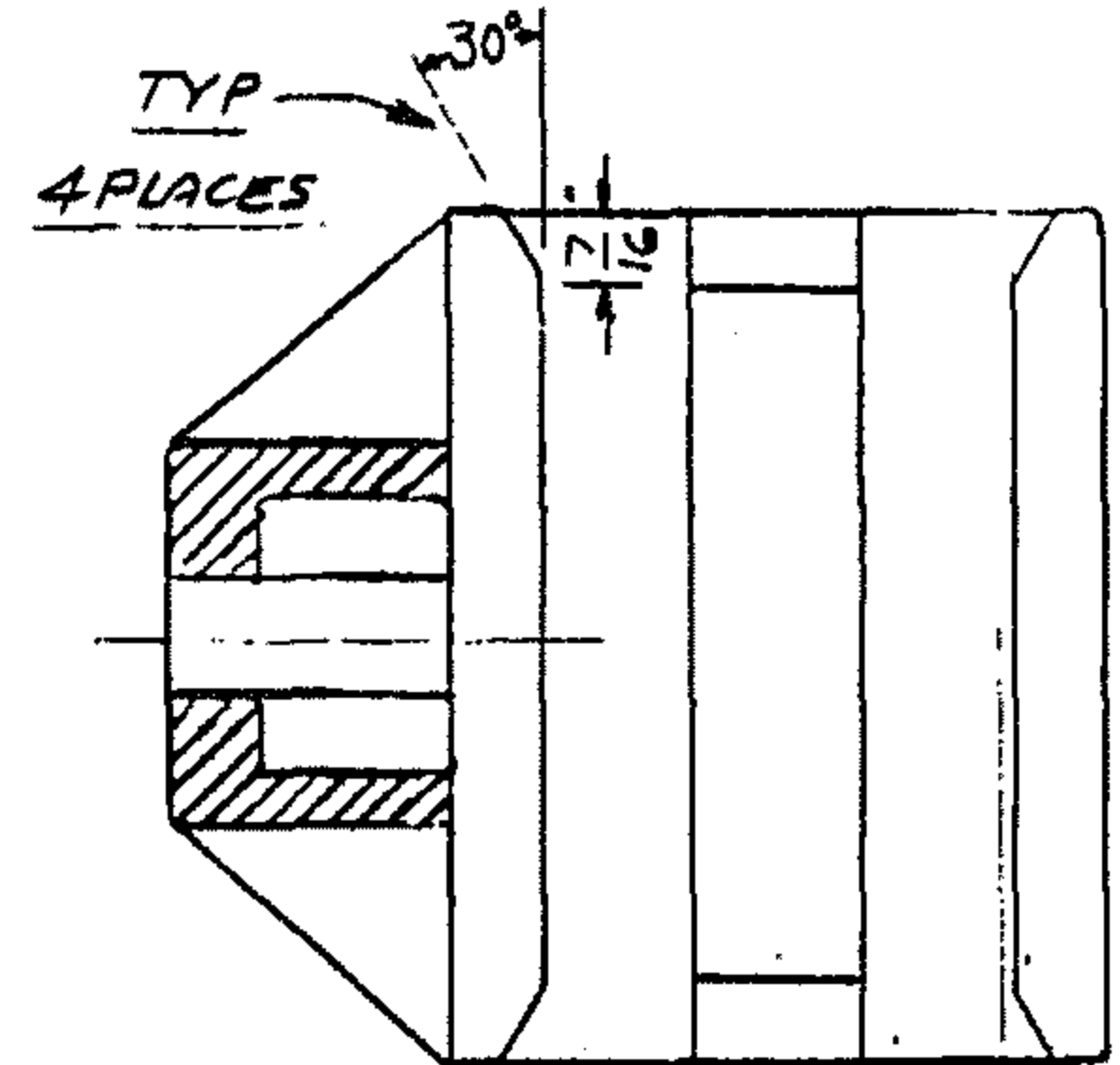
NAME OF PIECE **STANDARD CHAIN DRAG  
BRACKET FOR 18" V.C. VENEER DRYER.**

DRAWING NO. **NWC65295**

SCALE **FULL SIZE**

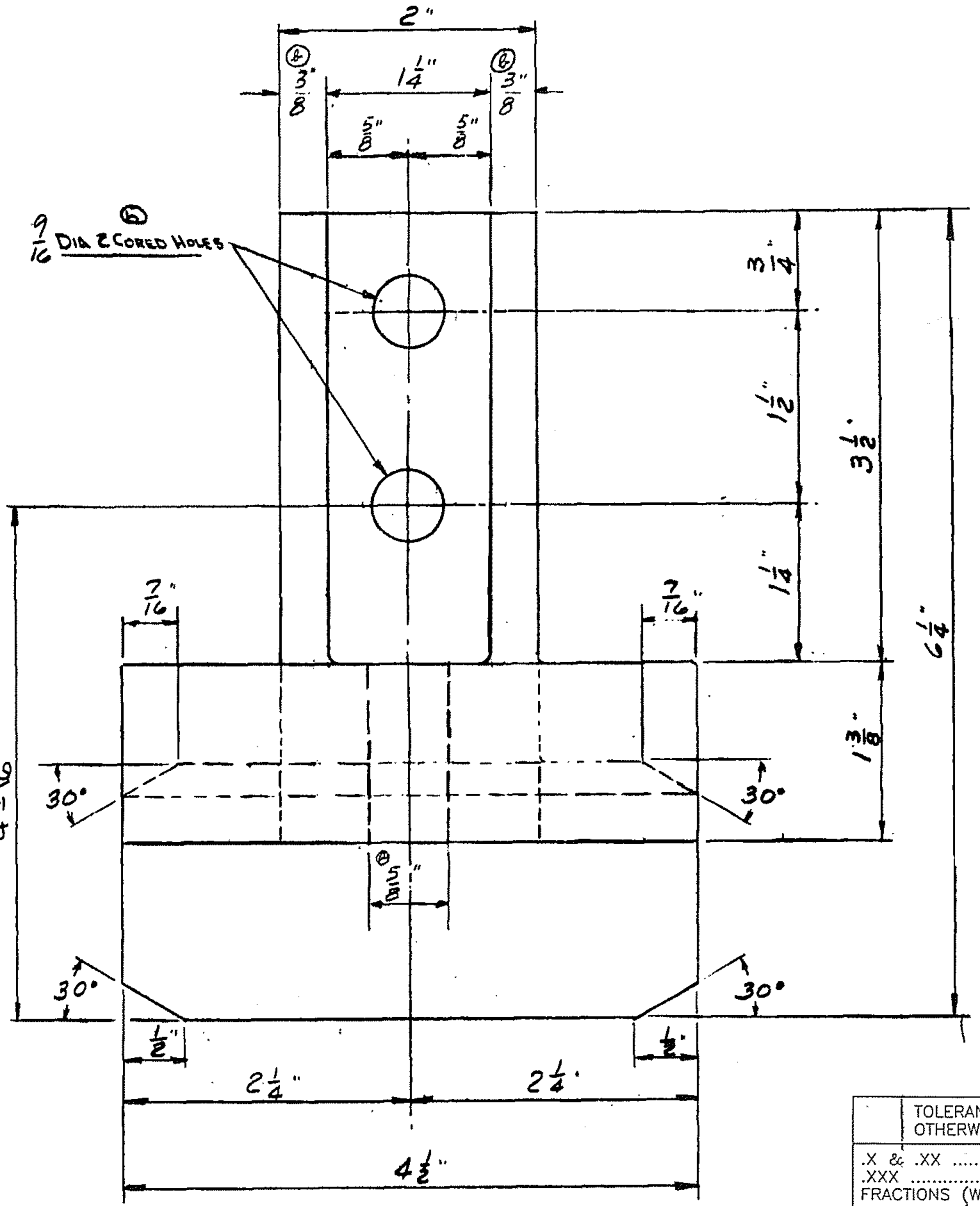
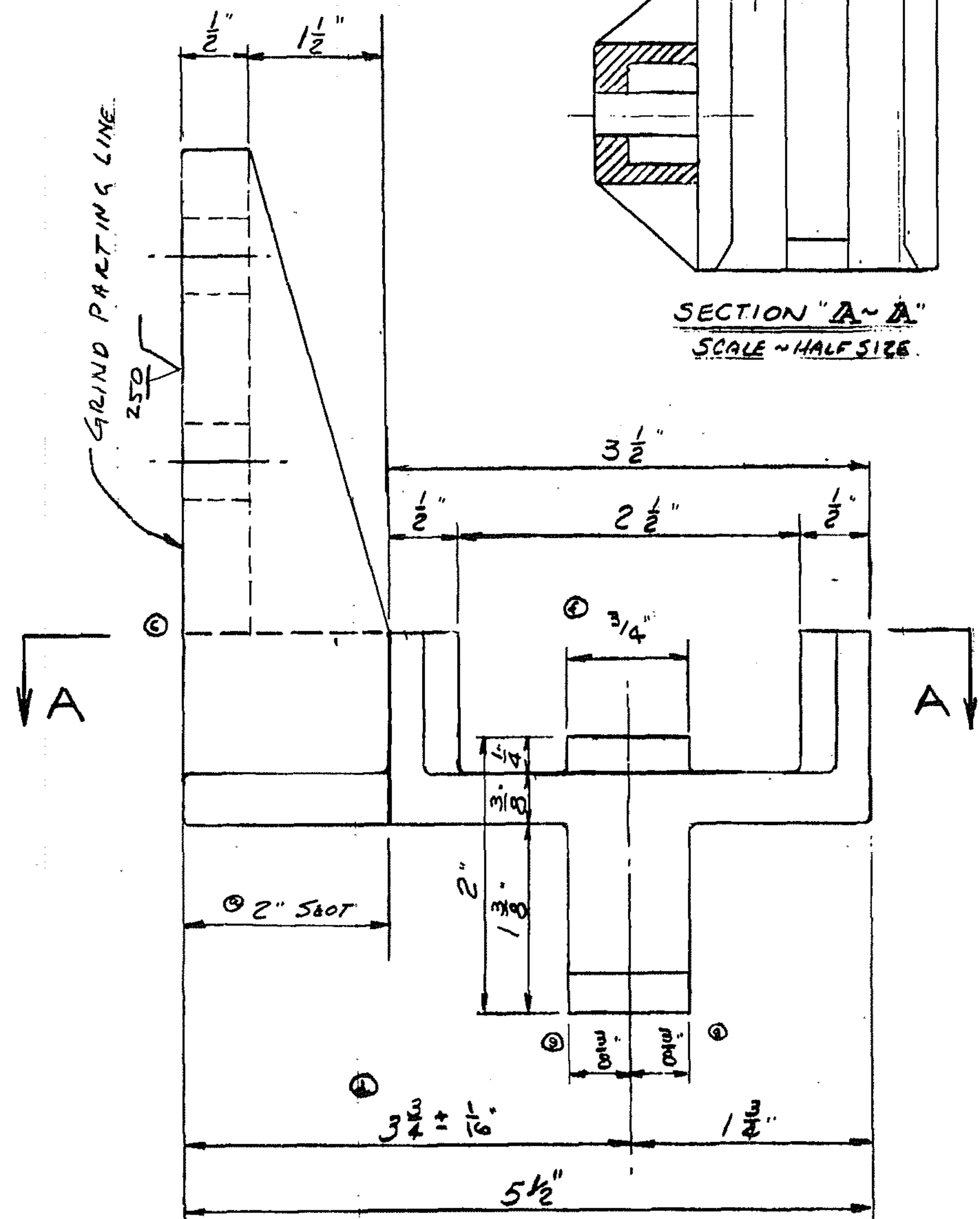
MATERIAL **C.I.**

PATTERN NO. **10864**



SECTION "A-A"  
SCALE - HALF SIZE.

GRIND PARTING LINE  
250



9/16 DIA 2 CORED HOLES

TOLERANCES UNLESS OTHERWISE SPECIFIED	
.X & .XX	± .010
.XXX	± .005
FRACTIONS (WELDING)	± 1/16
FRACTIONS (MACHINING)	± 1/64
ANGLES	± .5°
DIMENSIONS IN INCHES	