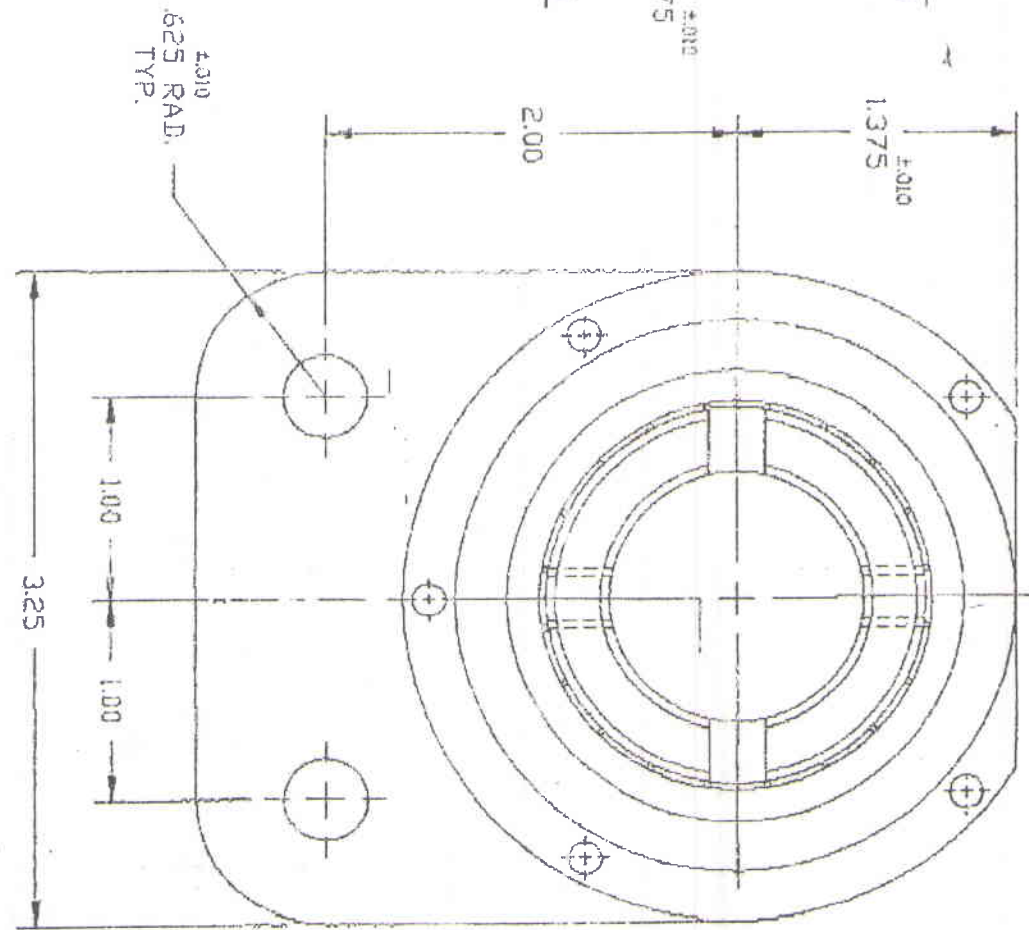
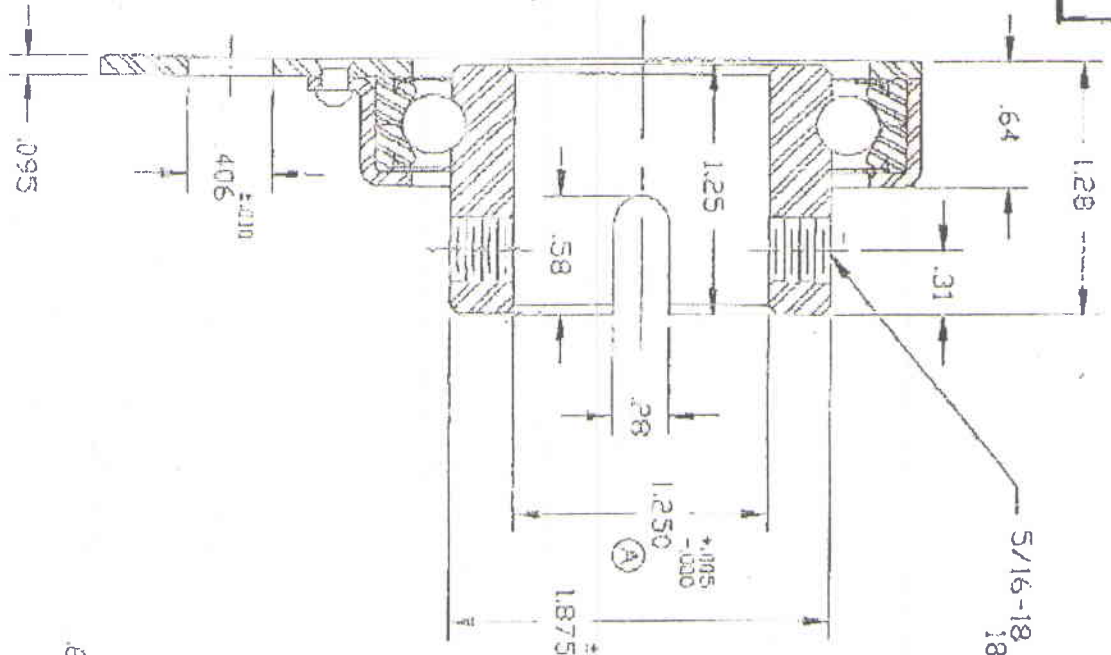


HB106FF



RADIAL PLAY .005 TO .007

GREASE 33% TO 50% FULL

HB105FF	SHIELD	2	SAE: 1008/1010
HB100	RIVET	5	SAE: 1006/1008
HB100	BALLS	20	5/16 440c ST. ST.
HB100	Lg. FLG	1	SAE: 1008/1010
HB100	Sh. FLG	1	SAE: 1008/1010
HB100	CUP	2	SAE: 1010
HB106	I.R.	1	C12L14

SYM	A	W/S 1.252 ± .002 C.O. S 2113/13/95/DH	CHAMF	DATE	BY
-----	---	---------------------------------------	-------	------	----

TOLERANCES UNLESS OTHERWISE SPECIFIED
 ANGLES ± .1°
 SURF. FINISH XX ± .010
 HOLE FINISH XX ± .0025

Northwest Dryer & Machinery

HB106FF HANGER BEARING

Scale FULL
 Date 1/22/95
 1-1519